

# KAPPA-90



## SPECIFICATIONS

### ACOUSTIC & ELECTRICAL SPECIFICATIONS:

- \* Nominal Impedance: 6-8 ohm
- \* Recommended Amp Power: 30-300 W
- \* Frequency Response: 35 Hz - 45 kHz ( $\pm$  2dB)
- \* Sensitivity: 89 dB / 2,8V / 1 m
- \* Crossover frequency: 250 HZ / 3,5 KHZ

### SYSTEM COMPONENTS:

- \* Cabinet: CLKAPPA90 (Not for sale)
- \* Grille: GLKAPPA90 (2408700)
- \* Grille: GLKAPPA90 (2408702)
- \* Woofer: HT240IY0 250mm Woofer  
38mm voice coil
- DC Resistance: 12,2 ohm
- \* Midrange: M11MG-09-04 115mm Midrange  
25mm voice coil

### SYSTEM COMPONENTS: (cont'd)

- DC Resistance: 3,4 ohm
- \* Tweeter: EMIT-B
- DC Resistance: 3,8 ohm
- \* Crossover Network: NKAPPA90 (2708700)
- \* Crossover Network: NKAPPA90 (2708701)

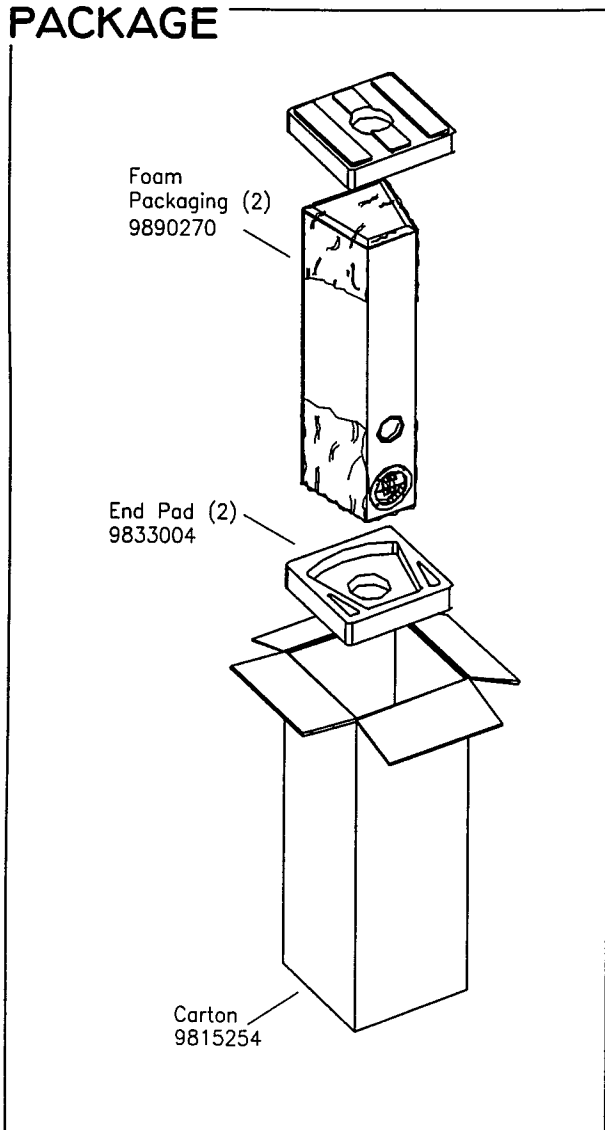
### PHYSICAL SPECIFICATIONS:

- \* Enclosure Dimensions (H.W.D): 48,0x15,35x14,76 In. D  
(1220x390x375mm D)
- \* Shipping Weight: 103 lbs. (47 kg.)

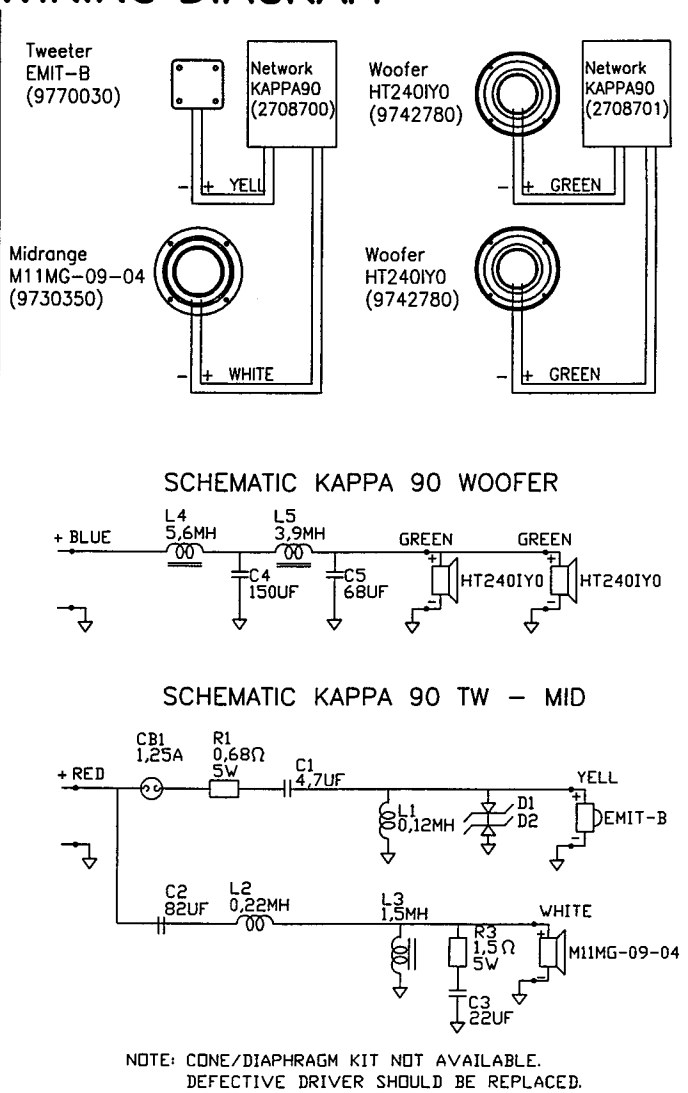
### WARRANTY INFORMATION:

- \* Refer to the Warranty Statement packed with each product

## PACKAGE



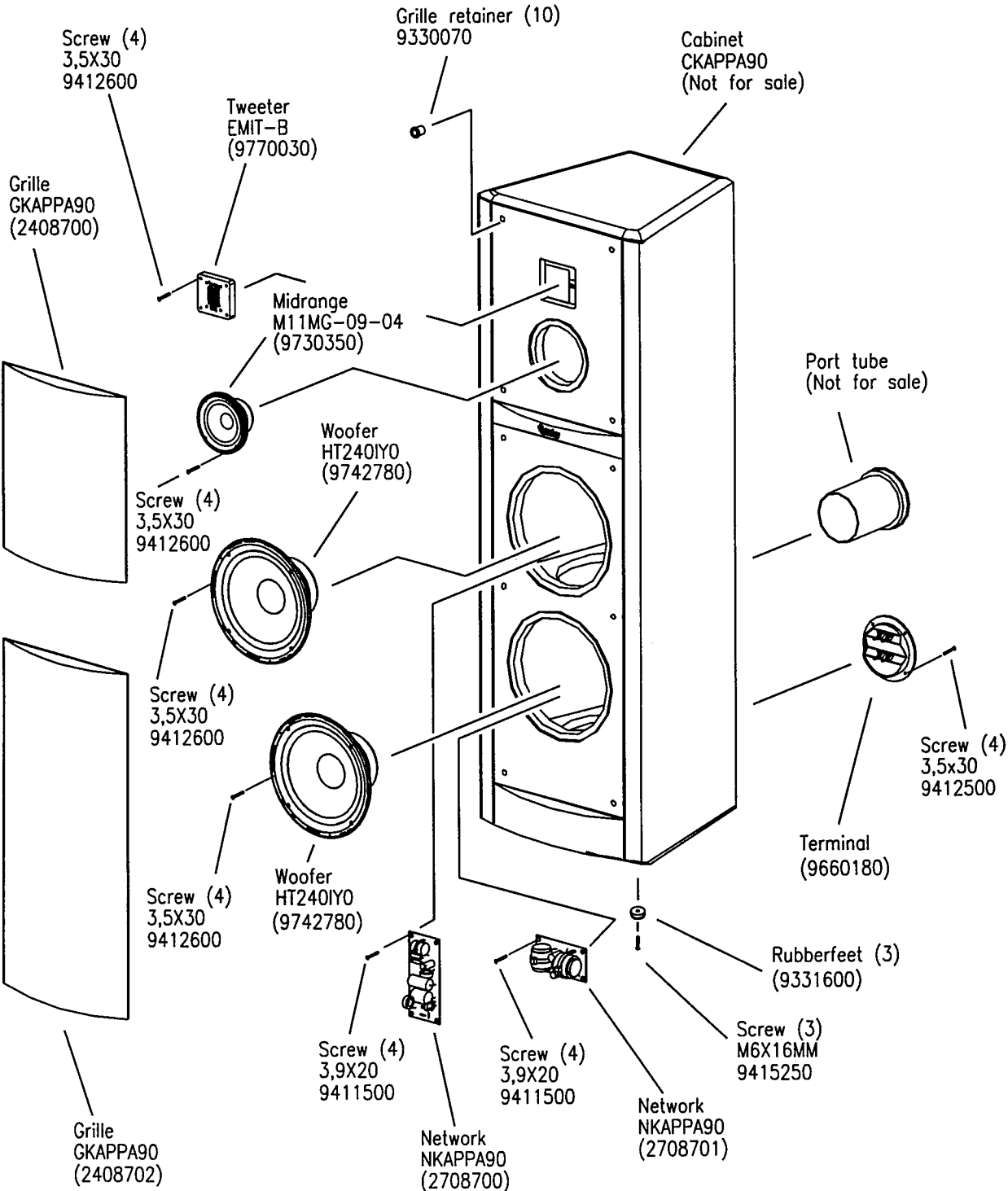
## WIRING DIAGRAM



**KAPPA-90**

# KAPPA-90

## COMPONENT EXPLODED VIEW



**KAPPA-90**